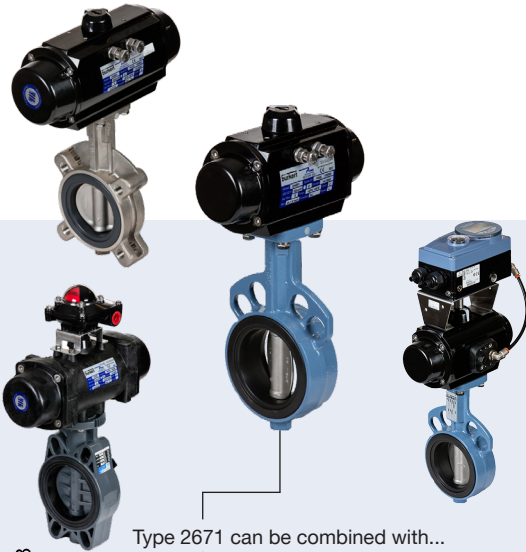


Butterfly valves manual & pneumatically actuated

- Self-lubrication bearing for longer service life
- Through shaft design
- Low torque high pressure design
- Rugged actuator mounted to ISO pad (standard)

DTS 1000355503 EN Version: - Status: RL (released | freigegeben | valide) printed: 03.05.2018



Type 2671 can be combined with...



Type 8793
Digital Process Controller



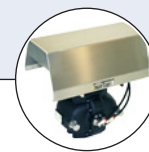
Type 2672
Butterfly valve with electric actuator



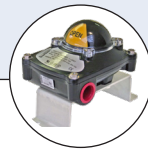
Type 1061
Accessory for pneumatic rotary actuators



Type 6519 Namur
Pilot valve, direct mount to actuator



Protective hood
For field mount positioners



Type 1061
Limit box

2/2 way Butterfly Valves used for control and on/off operations. Due to the fact that the valves are available with different body types (wafer or lug type) and materials, they perfectly meet the requirements of diverse applications and processes.

Usually they are used in application fields such as, for example, the water industry, power generation, pulp and paper, mining, food & beverage, environmental and mechanical engineering.

Further features and benefits are:

- Through shaft for self centering disc --> even wear and low torques.
- Can be installed in any desired position.
- Maintenance-free; simple to disassemble

Applications:

- Water & wastewater applications
- Food & beverage
- Chemical and petrochemical
- Gas & energy applications
- Mineral processing, steel mills

Technical data	
Orifice	DN50 to 600
Body	Wafer & Lug
Body material	Cast iron, ductile iron, stainless steel & PVC
Disc material	316 S/S for metal valves, PVC for PVC
Seal material	EPDM (NBR, FKM on request)
Medium temperature	-10°C to +120°C Metal / 0-60°C PVC (pressure, media and material dependent)
Medium Pressure	max. 16 bar* Refer to ordering chart
Flange connections	Wafer - Table D,E, ANS1150 & Din standard Lugged - Table E (other flanges available)
ISO top flange	EN ISO 5211

Technical data: valve

Torque (All Figures include a 30% safety Figure)

Cast, Ductile & Stainless valves Lubricating (Non Corrosive) [Nm]

DN [mm]	Size	Operating pressure [bar]			
		3	6	10	16
50	2	15	17	19	23
65	2 1/2	18	20	22	26
80	3	28	31	34	41
100	4	37	41	45	54
125	5	61	68	76	91
150	6	116	127	140	154
200	8	171	190	211	253
250	10	275	306	340	408
300	12	381	423	470	564
350	14	545	605	672	
400	16	728	809	899	
450	18	912	1013	1126	
500	20	1135	1261	1401	
600	24	1325	1472	1636	

Cast, Ductile & Stainless valves Dry (Non-Lubricating) [Nm]

DN [mm]	Size	Operating pressure [bar]		
		3	6	10
50	2	19	21	23
65	2 1/2	22	24	27
80	3	34	38	42
100	4	45	50	56
125	5	76	84	93
150	6	126	138	152
200	8	211	234	260
250	10	340	378	420
300	12	470	522	580
350	14	672	747	830
400	16	899	999	1110
450	18	1126	1251	1390
500	20	1401	1557	1730
600	24	1636	1818	2020

PVC Valves [Nm]

DN [mm]	Size	Operating pressure 10 bar
65	2 1/2	16
80	3	33
100	4	49
125	5	71
150	6	117
200	8	182

Technical data: valve

Kv Value

- The Kv-value (m³/hr) is the flow of water at a temperature of 5°C to 30°C (41 °F to 86 °F) at 1bar.
- Permissible velocity of flow V_{max} 4.5 m/s for liquids and V_{max} 70 m/s for gases.
- The throttle function is linear at an angle 30° to 70°.
- Avoid cavitation!

For further values, please contact our engineers.

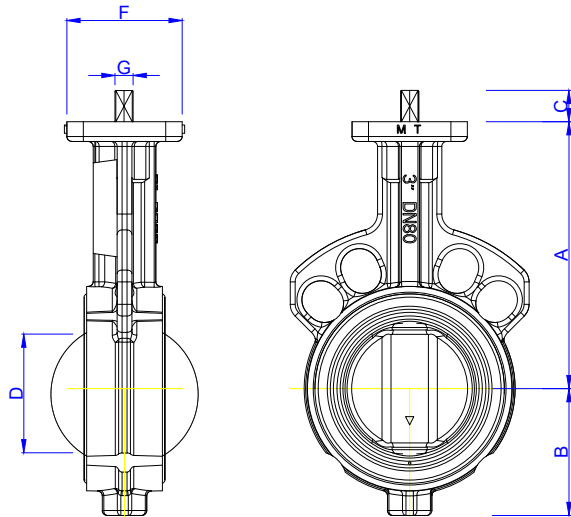
Cast, Ductile & Stainless Steel valves

DN [mm]	Size	Opening angle								
		10°	20°	30°	40°	50°	60°	70°	80°	90°
50	2	1.12	3.81	10.29	22.23	38.49	60.72	101.21	133.56	195.32
65	2 1/2	1.99	7.61	18.42	35.47	61.76	96.19	189.26	242.89	318.84
80	3	2.51	9.95	26.30	48.61	83.99	127.50	216.60	342.11	430.16
100	4	3.81	14.79	39.44	72.83	120.41	223.69	365.38	613.29	731.70
125	5	6.57	24.31	62.76	119.46	219.62	398.77	606.19	1050.54	1257.97
150	6	10.12	41.52	96.19	177.15	329.91	548.50	883.51	1275.18	1881.38
200	8	19.20	64.79	167.03	309.67	579.90	1007.03	1585.89	2337.84	3161.66
250	10	28.37	102.24	248.00	456.46	846.06	1479.58	2280.14	3295.22	4814.33
300	12	34.43	130.53	315.73	622.45	1150.71	2150.65	3287.17	5051.17	7143.08
350	14	47.58	164.96	394.70	804.62	1516.09	2604.00	4027.96	5818.25	8419.22
400	16	62.71	233.81	514.16	1089.99	1131.77	3421.77	5449.93	8196.57	11596.10
450	18	75.95	259.07	628.51	1222.59	2342.94	3972.34	6407.06	9588.18	13775.99
500	20	104.23	350.15	869.33	1712.35	3123.17	5412.48	8615.57	13266.94	18973.95
600	24	140.65	499.97	1166.89	2417.76	4519.80	7652.14	12088.98	18306.00	25520.87

PVC

DN [mm]	Size	Opening angle								
		10°	20°	30°	40°	50°	60°	70°	80°	90°
65	2 1/2	1.02	3.06	8.16	17.34	29.58	47.94	69.36	87.72	98.94
80	3	2.13	6.39	17.04	36.21	61.77	100.11	144.84	183.18	206.61
100	4	3.54	10.62	28.32	60.18	102.66	166.38	240.72	304.44	343.38
125	5	5.91	17.73	47.28	100.47	171.39	277.77	401.88	508.26	573.27
150	6	11.22	33.66	89.76	190.74	325.38	527.34	762.96	964.92	1088.34
200	8	18.3	54.9	146.4	311.1	530.7	860.1	1244.4	1573.8	1775.1

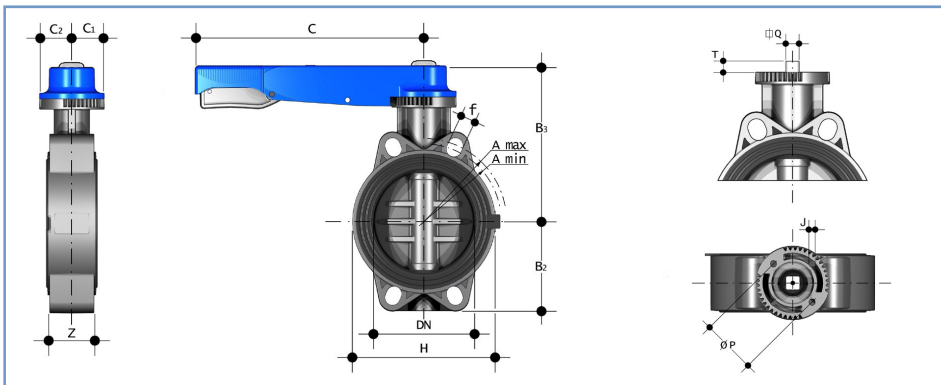
Wafer Cast Iron / Stainless Steel



DN [mm]	Size [mm]	Face to Face	Dimensions						Mounting Flange Type	Flange PCD	Weight KG
			A	B	C	D	G				
50	2	43	143	65	19	39	11	F07	70	3	
65	2 1/2	46	155	71	19	55	11	F07	70	3.8	
80	3	46	162	77	19	69	11	F07	70	4	
100	4	52	181	107	19	91	11	F07	70	5.3	
125	5	56	197	122	19	115	14	F07	70	7.3	
150	6	56	210	150	19	140	14	F07	70	8.2	
200	8	60	240	165	24	186	17	F10	102	13.5	
250	10	68	286	201	24	239	19	F10	102	21.2	
300	12	78	309	234	24	288	22	F10	102	32.5	
350	14	78	329	303	29	325	27	F12/F14	125/140	48	
400	16	102	361	335	29	375	27	F12/F14	125/140	60	
450	18	114	393	363	38	423	36	F14/F16	140/165	80	
500	20	127	427	397	38	473	36	F14/F16	140/165	125	
600	24	154	492	459	48	560	46	F16	165	200	

Wafer PVC - Dimensions [mm]

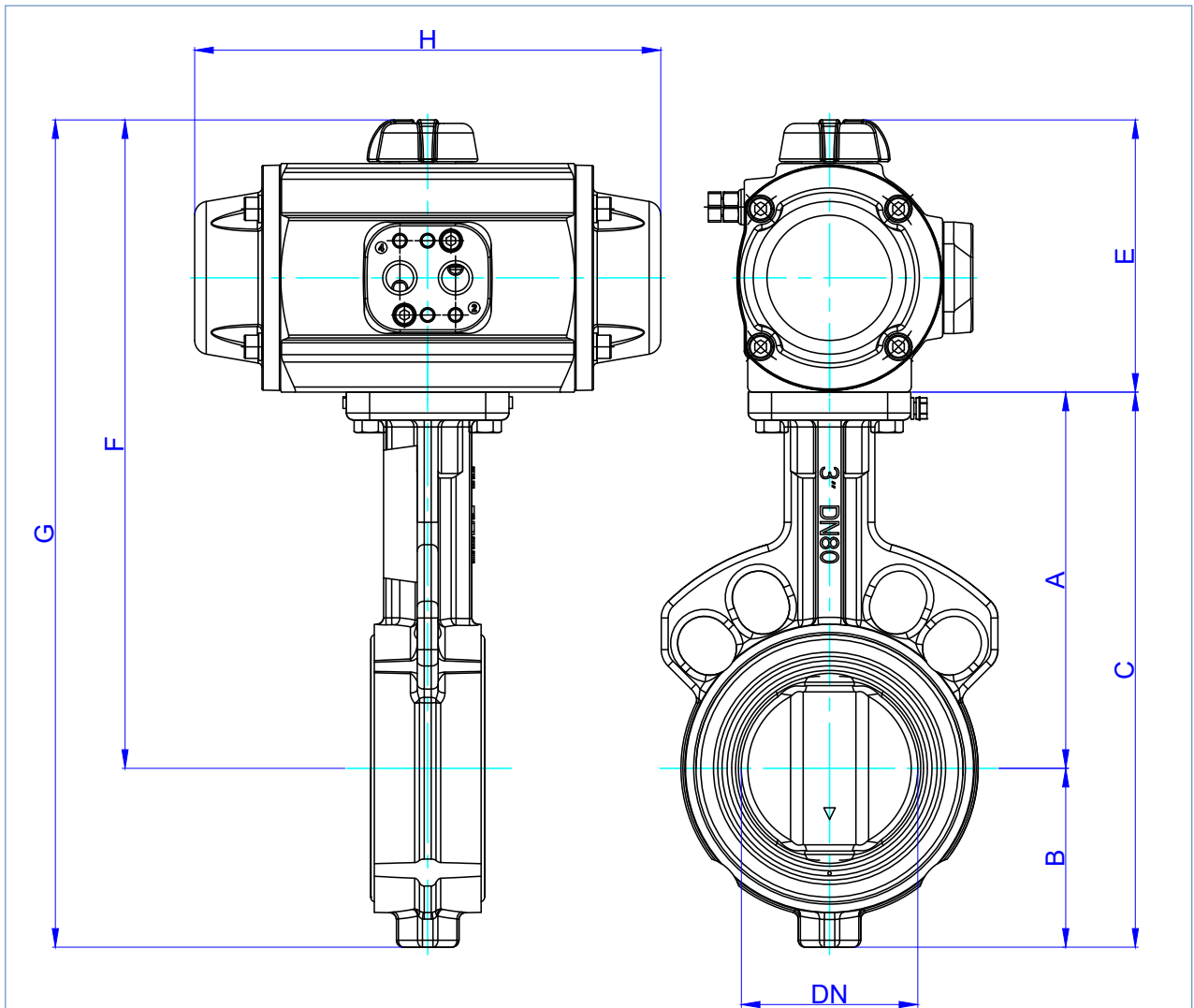
Dimensions [mm]



DN	d ₀	A	A	B2	B3	C	C1	C2	f	H	U	Z	J	T	Q	P	ISO 5211
65	75	128	144.00	80	168	175	45	45	19	165	4	46	7	12	11	50	F05
80	90	145	159.00	90	182	250	45	45	19	130	4	49	9	16	14	70	F07
100	110	165	190.00	105	196	250	45	45	19	150	4	56	9	16	14	70	F07
125	140	204	215.00	121	215	335	45	45	23	185	4	64	9	19	17	70	F07
150	160	230	229.00	132	229	335	45	45	23	210	4	70	9	19	17	70	F07
200	225	280	309.00	161	309	425	65	82	23	325	8	71	11	24	22	102	F10

1) Ø Port Connection [mm]

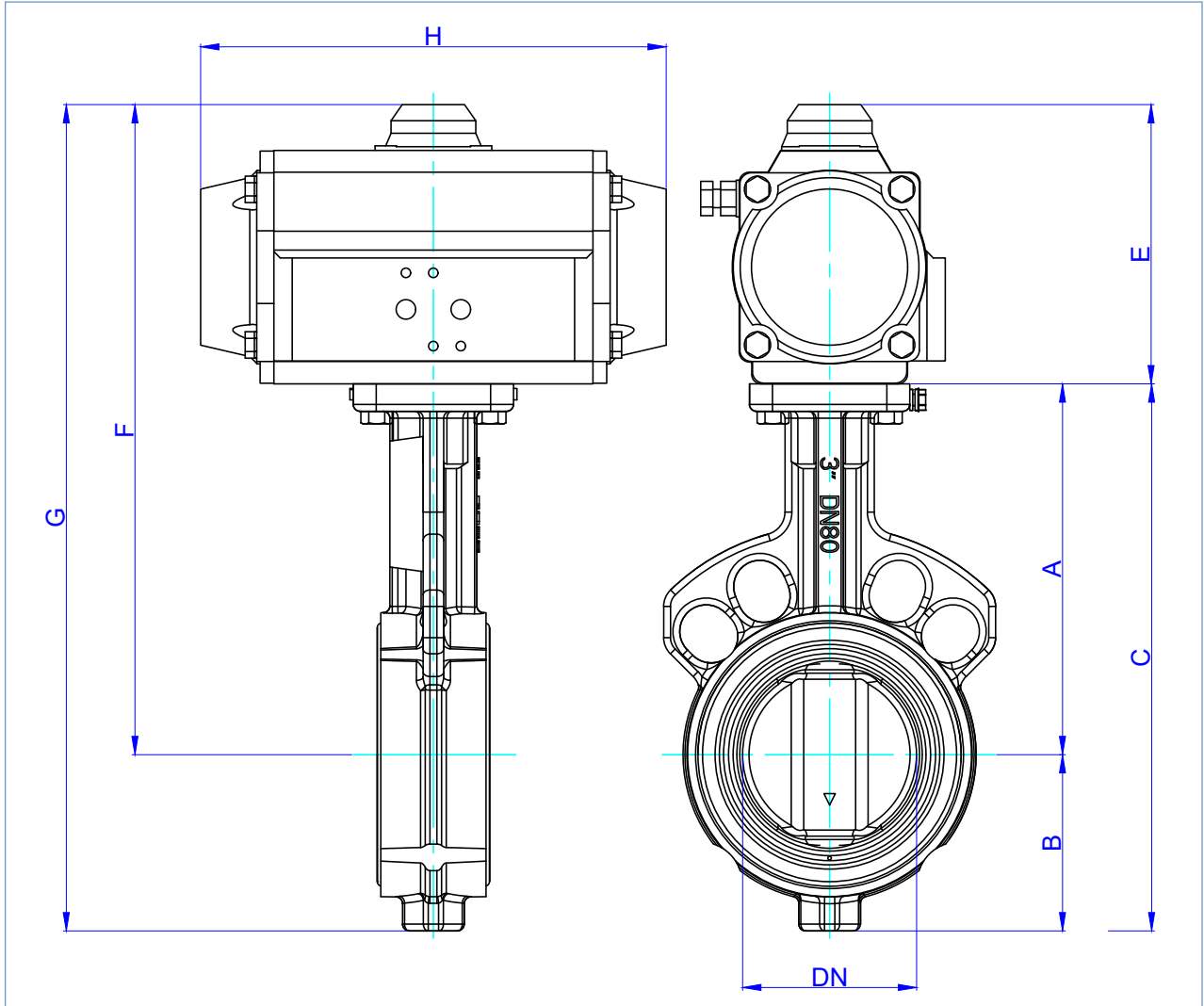
Wafer butterfly valves cast iron/stainless steel complete with Rilsan actuator - dimensions [mm]



Rilsan (2052)

DN [mm]	Size [mm]	Circuit Function		A	B	C	E		F		G		H	
		SR	DA				SR	DA	SR	DA	SR	DA		
50	2	PA10S	PA05	143	65	208	123	119	266	262	331	327	226	201
65	2 1/2	PA10S	PA05	155	71	226	123	119	278	274	349	345	226	201
80	3	PA15S	PA05	162	77	239	139	119	301	281	378	358	265	201
100	4	PA20S	PA10	181	107	288	147	123	328	304	435	411	312	226
125	5	PA25S	PA15	197	122	319	175	139	372	336	494	458	358	265
150	6	PA30S	PA25	210	150	360	191	175	401	385	551	535	429	358
200	8	P40S	PA25	240	165	405	272	175	512	415	677	580	598	358
250	10	P40S	PA30	286	201	487	272	191	558	477	759	678	598	429
300	12	P40S	PA40	309	234	543	272	272	581	581	815	815	598	444

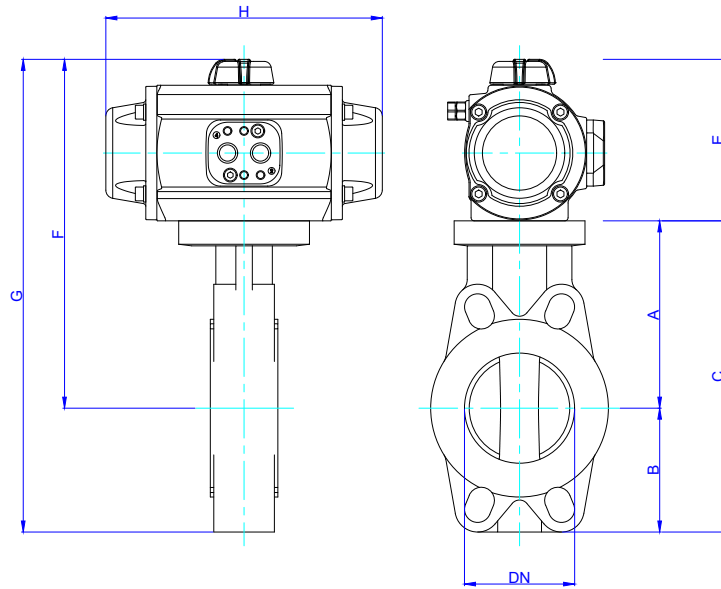
Wafer butterfly valves cast iron/stainless steel complete with Anodised actuator - dimensions [mm]



Anodised (2051)

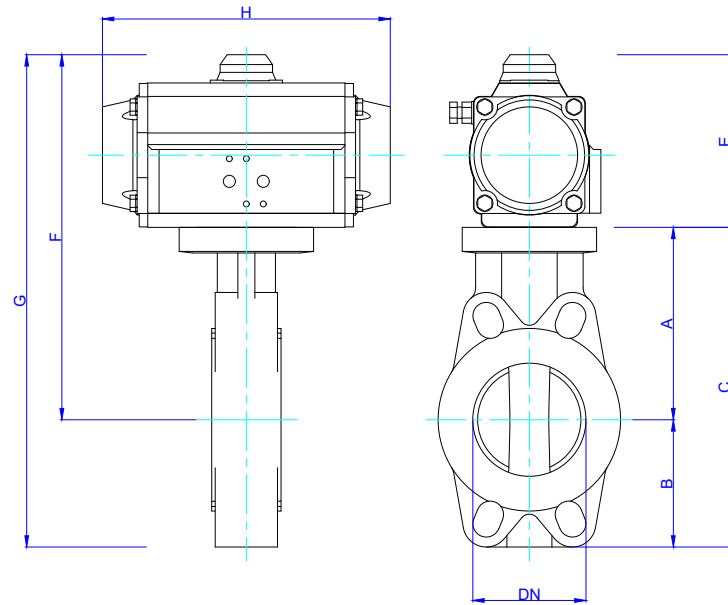
DN [mm]	Size [mm]	Circuit Function		A	B	C	E		F		G		H	
		SR	DA				SR	DA	SR	DA	SR	DA		
50	2	60A	30I	143	65	208	122	105	265	248	330	313	203.5	153.5
65	2 1/2	60A	30I	155	71	226	122	105	277	260	348	331	203.5	153.5
80	3	100A	60I	162	77	239	135	122	297	284	374	361	241	203.5
100	4	150A	60I	181	107	288	147	122	328	303	435	410	259	203.5
125	5	220A	100I	197	122	319	175	135	372	332	494	454	304	241
150	6	450A	220I	210	150	360	207	175	417	385	567	535	394.5	304
200	8	600A	220I	240	165	405	226	175	466	415	631	580	422.5	304
250	10	900A	450I	286	201	487	270	207	556	493	757	694	474	394.5
300	12	1200A	450I	309	234	543	295	207	604	516	838	750	528	394.5

Actuated PVC butterfly valve - dimensions [mm]



Rilsan (2052)

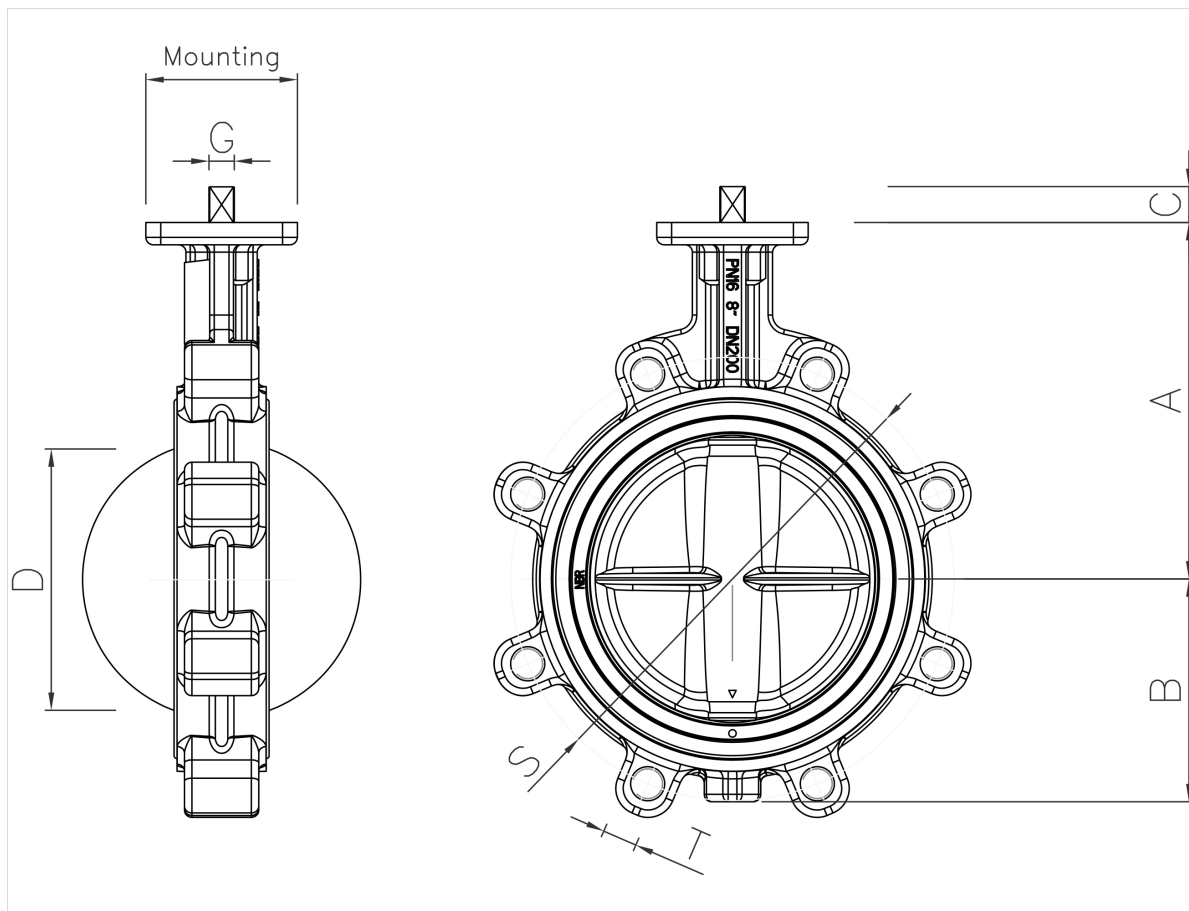
DN [mm]	Size [mm]	Circuit Function		A	B	C	E		F		G		H	
		SR	DA				SR	DA	SR	DA	SR	DA	SR	DA
65	2 1/2	PA05S	PA00	168	80	248	119	102.1	287	270.1	367	350.1	201.2	152.3
80	3	PA15S	PA05	182	90	272	138.6	119	320.6	301	410.6	391	264.2	201.2
100	4	PA20S	PA05	196	105	301	147.3	119	343.3	315	448.3	420	311	201.2
125	5	PA25S	PA10	215	121	336	174.6	123.1	389.6	338.1	510.6	459.1	356.2	225.1
150	6	PA25S	PA15	229	132	361	174.6	138.6	403.6	367.6	535.6	499.6	356.2	264.2
200	8	PA30S	PA25	309	161	470	191	174.6	500	483.6	661	644.6	427.5	356.2



Anodised (2051)

DN [mm]	Size [mm]	Circuit Function		A	B	C	E		F		G		H	
		SR	DA				SR	DA	SR	DA	SR	DA	SR	DA
65	2 1/2	SR60	DI15	168	80	248	122	89	290	257	370	337	203.5	136
80	3	SR100	DI30	182	90	272	135	105	317	287	407	377	241	153.5
100	4	SR150	DI60	196	105	301	147	122	343	318	448	423	259	203.5
125	5	SR220	DI100	215	121	336	175	135	390	350	511	471	304	241
150	6	SR300	DI150	229	132	361	187	147	416	376	548	508	333	259
200	8	SR450	DI220	309	161	470	207	175	516	484	677	645	394.5	304

Lugged ductile iron / stainless steel valve dimensions [mm]



DN [mm]	Size [mm]	Face to Face	Dimensions					Mounting Flange		Flange Detail			Weight KG
			A	B	C	D	G	Type	PCD	S	T	Bolts	
50	2	43	143	65	19	39	11	F07	70	114	M16	4	3.4
65	2 1/2	46	155	71	19	55	11	F07	70	127	M16	4	4
80	3	46	162	77	19	69	11	F07	70	146	M16	4	4.5
100	4	52	181	89	19	91	11	F07	70	178	M16	8	7.6
125	5	56	197	112	19	115	14	F07	70	210	M16	8	9.5
150	6	56	210	123	19	140	14	F07	70	235	M20	8	10.4
200	8	60	240	150	24	186	17	F10	102	292	M20	8	17.5
250	10	68	286	179	24	239	19	F10	102	356	M20	12	26.5
300	12	78	309	216	24	288	22	F10	102	406	M24	12	43.5
350	14	78	329	303	29	325	27	F12/F14	125/140	470	M24	12	58
400	16	102	361	335	29	375	27	F12/F14	125/140	521	M24	12	81
450	18	114	393	363	38	423	36	F14/F16	140/165	584	M24	16	110
500	20	127	427	397	38	473	36	F14/F16	140/165	641	M24	16	155
600	24	154	492	459	48	560	46	F16	165	756	M30	16	318

Technical data: Rilsan coated pneumatic actuator

Rilsan coated pneumatic actuator

Bürkert's range of pneumatic actuators for quarter turn valves fulfil a wide variety of on/off process applications. Available in double acting and spring return configuration, these actuators deliver exceptionally long service life.

The actuator shown here is extremely protected against corrosion by double coating of epoxy (cataphoresis) and Rilsan (internal & external). All materials are resistant to oxidation (silicone free); the actuators are even rated to be water-actuated. This level of protection suits the valve system to field deployment in extreme conditions.

A wide selection of accessories is available including:

- Limit switches
- Positioners
- Manual override

Actuators require pilot solenoid valve; see accessories list.

